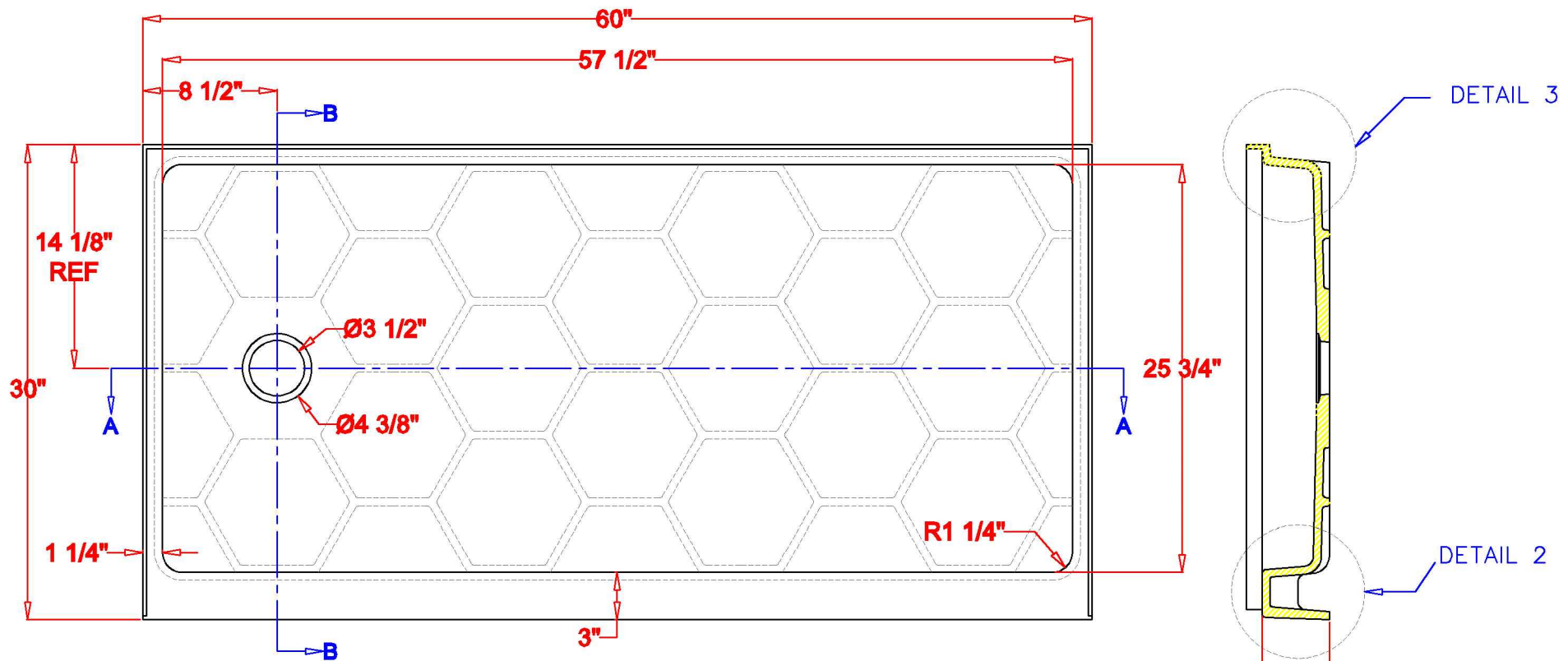
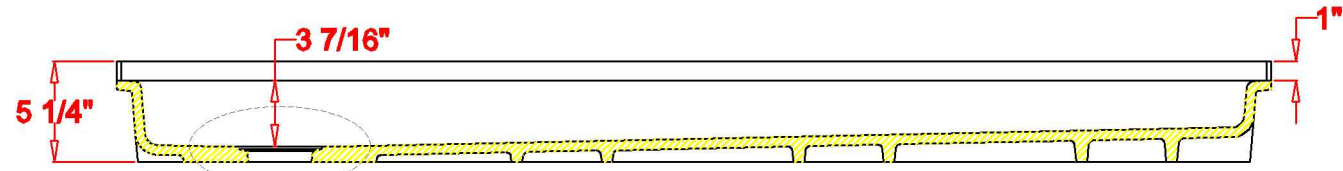


Rev #		
Rev #		



Drainage angle flooring is 1/4" per foot (1.2°) toward waste drain hole.

SECTION B-B



SECTION A-A
DETAIL 1

The "Honeycomb" pattern shown, is a projection of the reinforcement ribs underneath the shower pan.



FORMICA CORP
6579 West 350 North
Building 103
Greenfield, IN 46140
www.formica.com

Part Number:	SHOWERPAN3060L		
Description:	Standard Shower Pan 30" x 60" Left Drain / Overall Dimensions		
Date Drawn:	12 / 04 / 2013	Weight:	Scale: None
Drawn By:	Carlos Hernandez.	Revised By:	
Approved By:		Date Revised:	

Customer Approval: _____ Date: _____
Path: @Engineering\