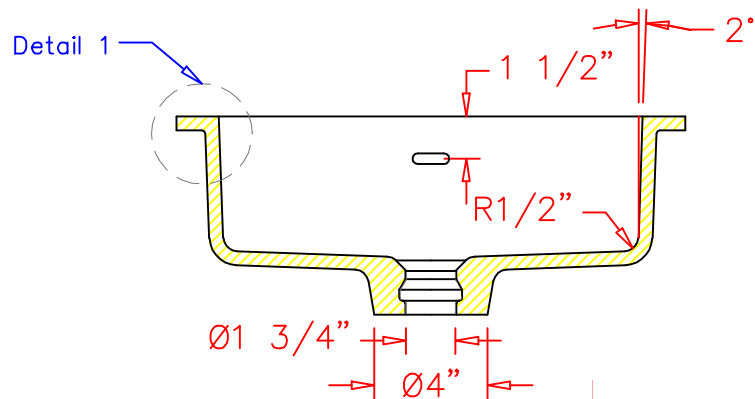
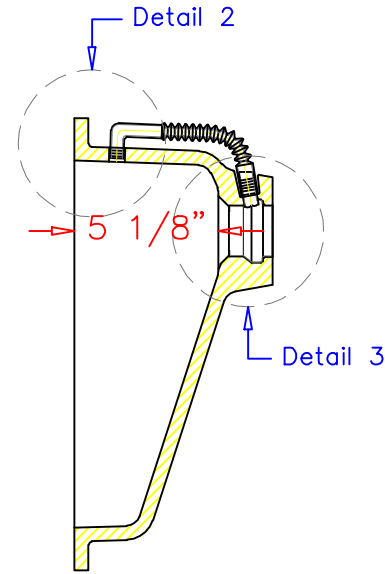
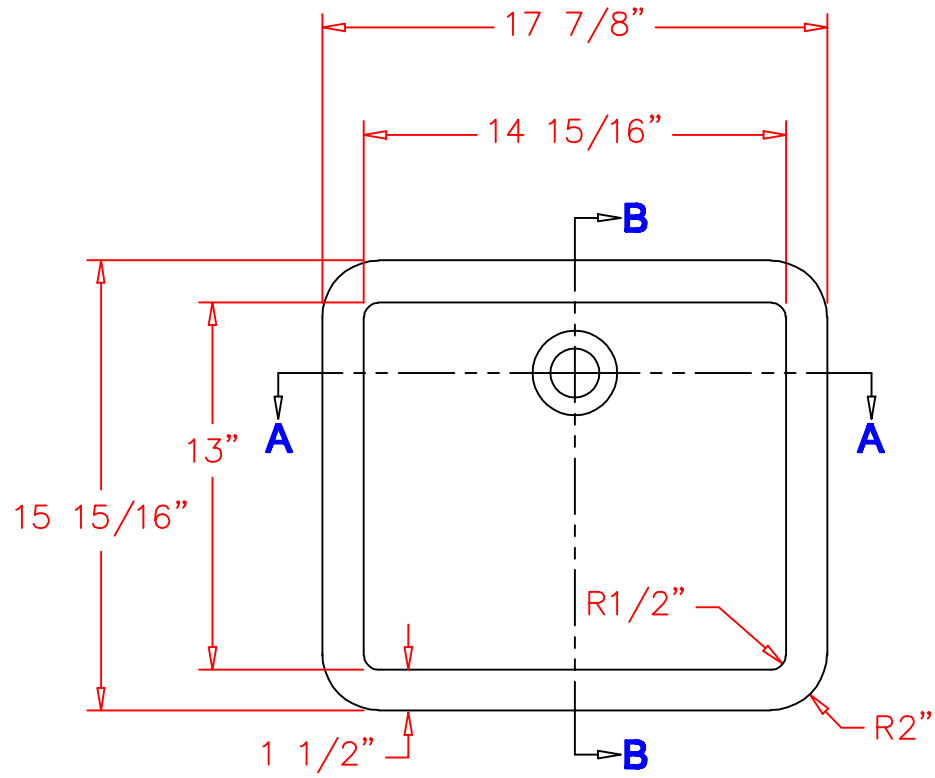


Rev #	A	07/01/09	General Dimensions Updated to reflect Model
Rev #	B	07/07/09	Drain waste hole changed to CSA compliant. New overflow hose added.



NOTES:

1. Typical draft angle is 2°.
2. Typical thickness is 1/2" unless otherwise noted.
3. Typical radius inside bowl is 1/2".
4. Flat oval overflow polycollar is a standard accessory.
5. Tolerances ± 0.0825" unless otherwise noted.