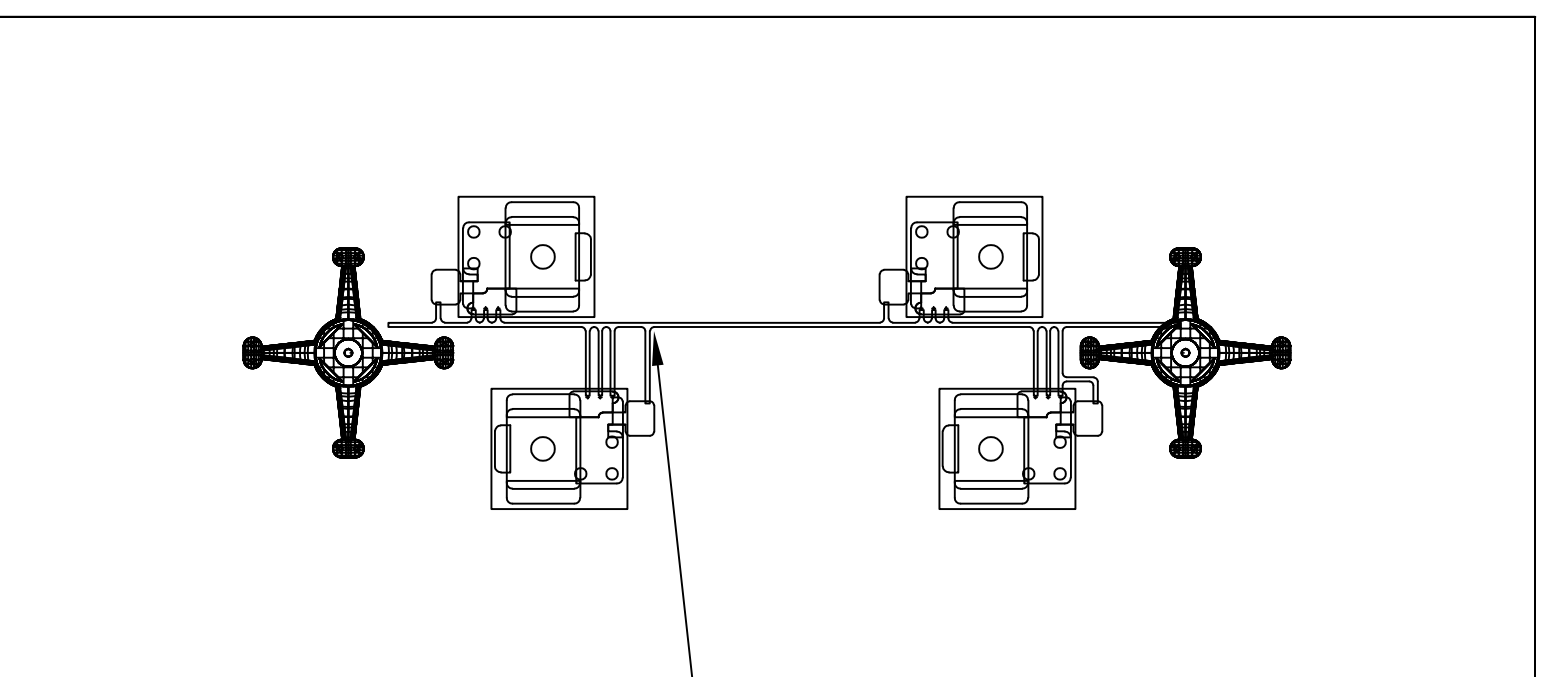
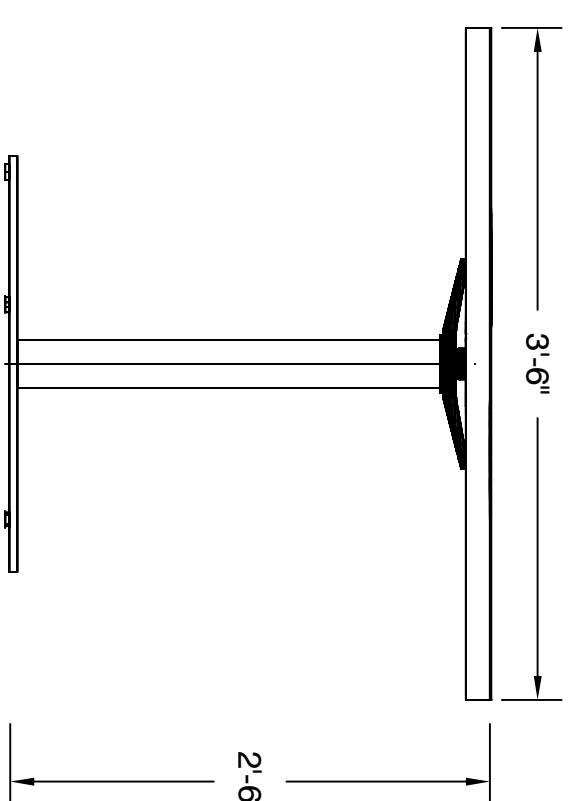


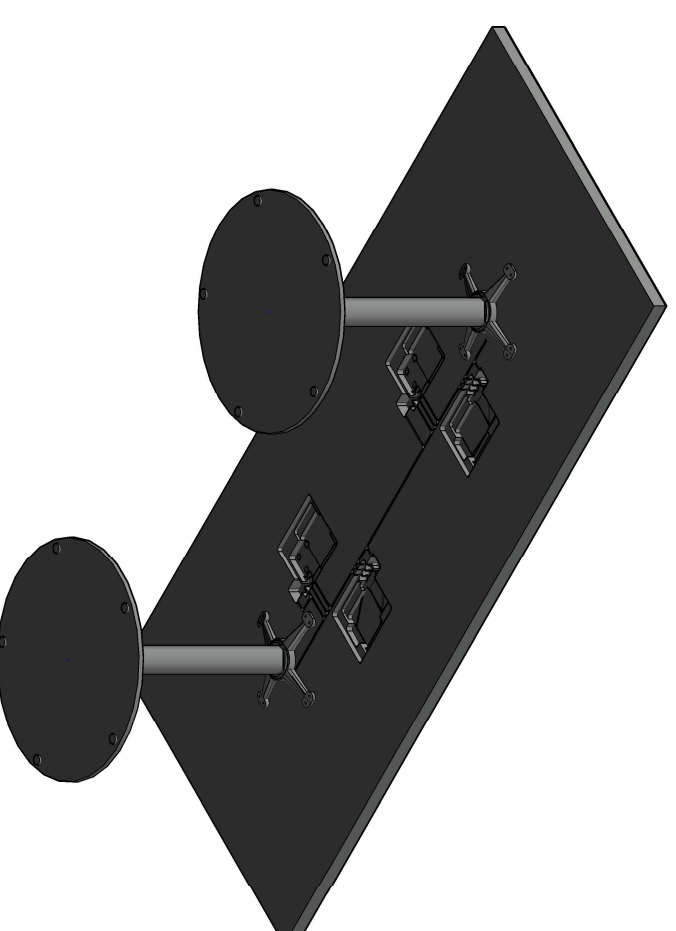
**TOP OF TABLE**



**BACK OF TABLE**



**SIDE ELEVATION**



**3D VIEW - UNDER COUNTER**

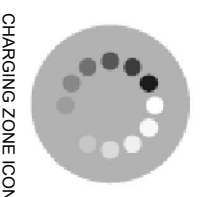


FORMICA CORPORATION  
 10155 READING ROAD  
 CINCINNATI, OH 45241  
 WWW.FORMICA.COM  
 PHONE | 1-800-FORMICA  
 PROPERTY OF FORMICA GROUP

**DISCLAIMER:**  
 • THE FOLLOWING IS PROVIDED FOR INSPIRATION ONLY.  
 • FORMICA GROUP IS NOT RESPONSIBLE AND ASSUMES NO LIABILITY FOR THE DESIGN, ENGINEERING, INSTALLATION, ASSEMBLY OR STRUCTURAL INTEGRITY OF THE FABRICATED PIECE.  
 • FABRICATOR SHOULD BRACE OR SUPPORT AS NECESSARY.  
 • FORMICA GROUP'S COUNTERSIGNATURE HEREIN DOCUMENTS ITS REVIEW AND APPROVAL OF THE LOCATION OF THE CHARGING ZONES ONLY.

**PROJECT NOTES:**  
 CLIENT SIGNATURE: *For Sample Use Only*  
 PRINTED NAME: \_\_\_\_\_ DATE: \_\_\_\_\_  
 FORMICA SIGNATURE: \_\_\_\_\_  
 PRINTED NAME: \_\_\_\_\_ DATE: \_\_\_\_\_  
 FORMICA GROUP'S COUNTERSIGNATURE HEREIN DOCUMENTS ITS REVIEW AND APPROVAL OF THE LOCATION OF THE CHARGING ZONES ONLY.

JOB NUMBER	END CUSTOMER
96 X 42 CONFERENCE	FORMICA GROUP
NUMBER OF SHEETS	TBD
NUMBER OF TABLES PER SHEET	TBD
COLOR NUMBER   DESCRIPTION	949 WHITE
FINISH	58 MATTE
# OF CHARGING ZONES PER SHEET	TBD



**intentek**  
 ORIGIN DATE | 10.01.2019  
 REVISION | XXX  
 REVISION DATE | 00.00.0000  
 DRAWN BY | TBD  
 SCALE | AS NOTED