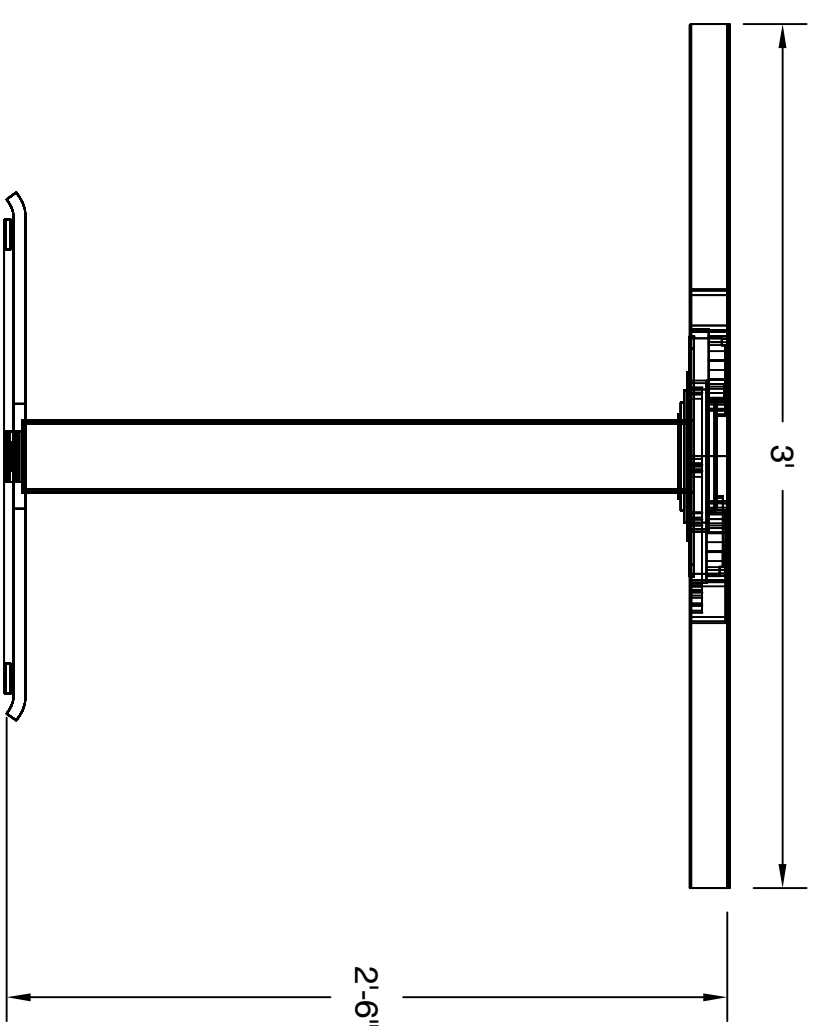


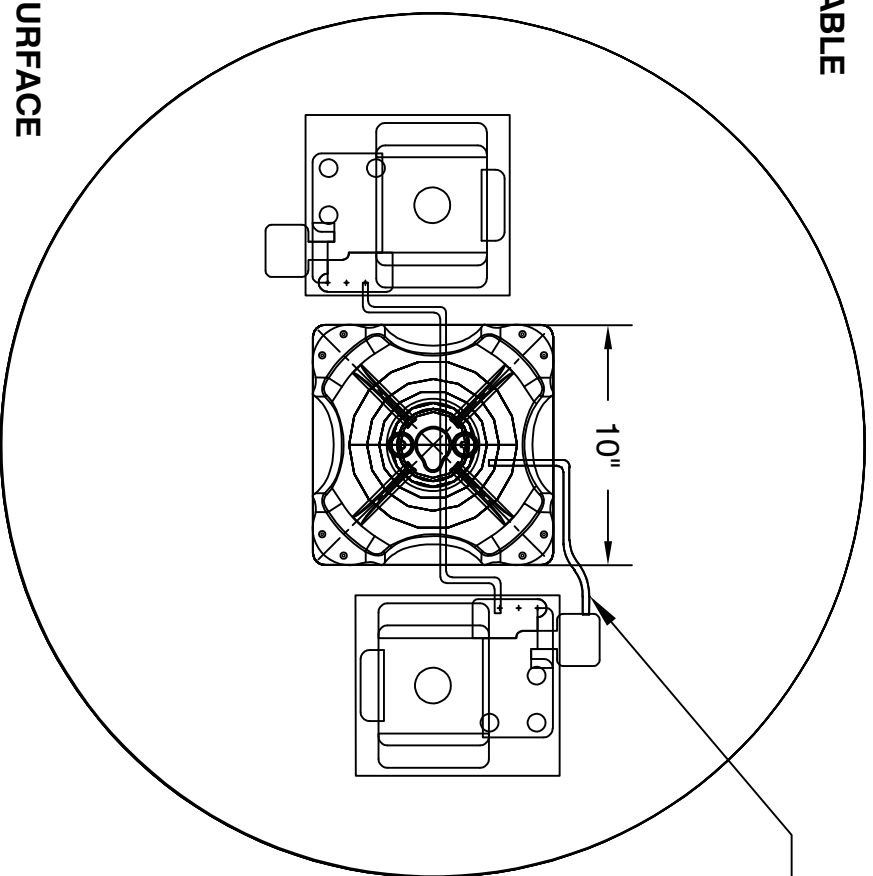
TOP OF TABLE

CHARGING ZONE

POWER CHANNEL

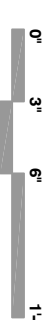
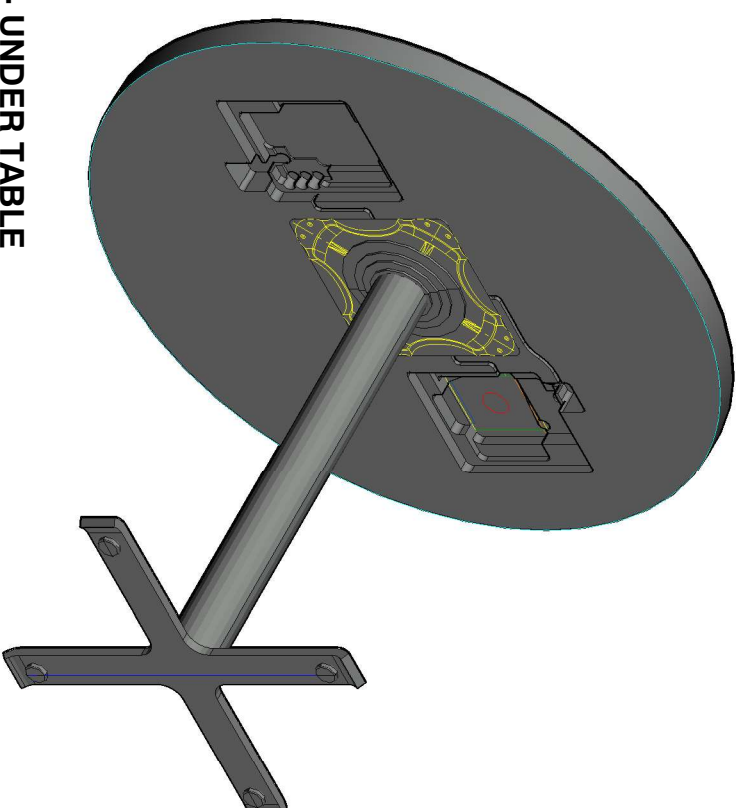


SIDE ELEVATION



BACK OF TABLE SURFACE

3D VIEW - UNDER TABLE



FORMICA CORPORATION

10155 READING ROAD

CINCINNATI, OH 45241

WWW.FORMICA.COM

PHONE | 1-800-FORMICA

PROPERTY OF FORMICA GROUP

DISCLAIMER:

- THE FOLLOWING IS PROVIDED FOR INSPIRATION ONLY.
- FORMICA GROUP IS NOT RESPONSIBLE AND ASSUMES NO LIABILITY FOR THE DESIGN, ENGINEERING, INSTALLATION, ASSEMBLY OR STRUCTURAL INTEGRITY OF THE FABRICATED PIECE.
- FABRICATOR SHOULD BRACE OR SUPPORT AS NECESSARY.
- EDGING AND BASE OPTIONS VARY BY FABRICATION SHOP.

PROJECT NOTES:

CLIENT SIGNATURE: *For Sample Use Only*

PRINTED NAME: _____ DATE: _____

FORMICA SIGNATURE: _____ DATE: _____

PRINTED NAME: _____ DATE: _____

FORMICA GROUP'S COUNTERSIGNATURE. HEREIN, DOCUMENTS ITS REVIEW AND APPROVAL OF THE LOCATION OF THE CHARGING ZONES ONLY.

JOB NUMBER

36 X 36 TABLE

FORMICA GROUP

NUMBER OF SHEETS

TBD

NUMBER OF TABLES PER SHEET

TBD

COLOR NUMBER | DESCRIPTION

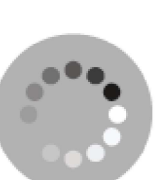
949 WHITE

FINISH

58 MATTE

OF CHARGING ZONES PER SHEET

TBD



CHARGING ZONE ICON



ORIGIN DATE | 10.01.2019

REVISION | XXX

REVISION DATE | 00.00.0000

DRAWN BY | TBD

SCALE | AS NOTED