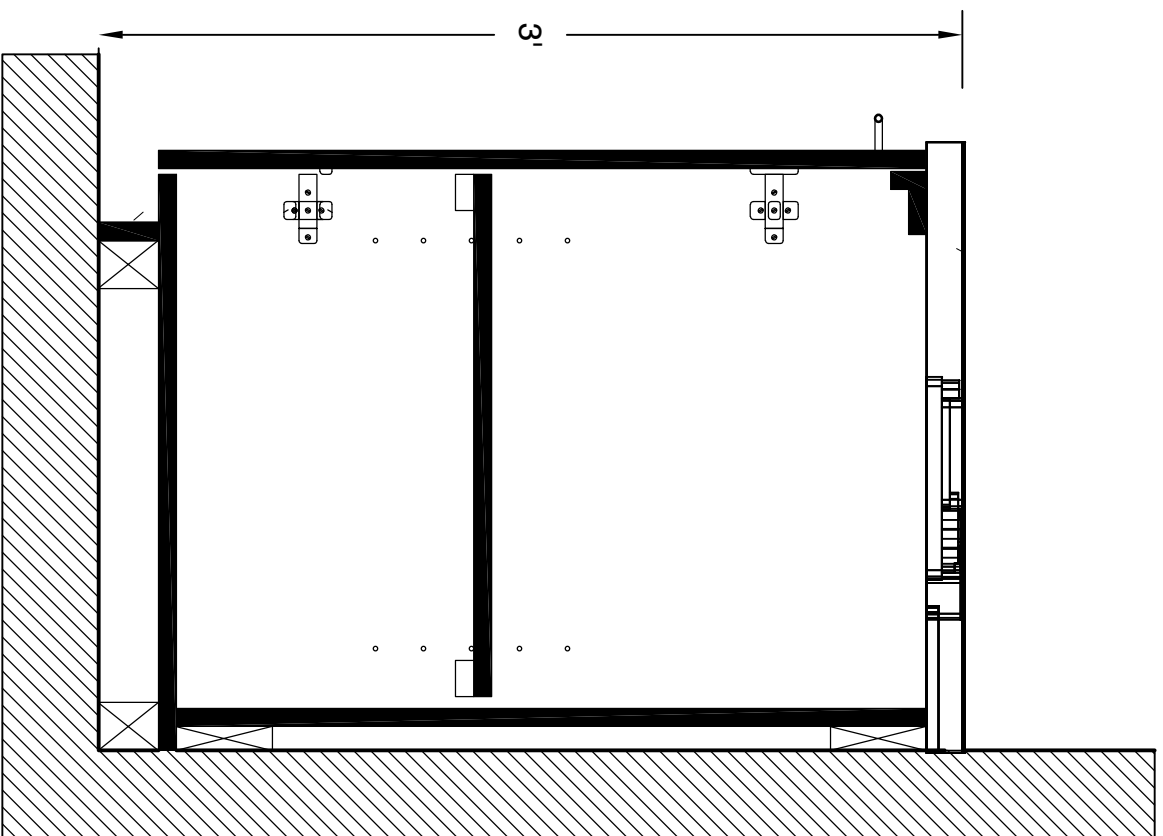
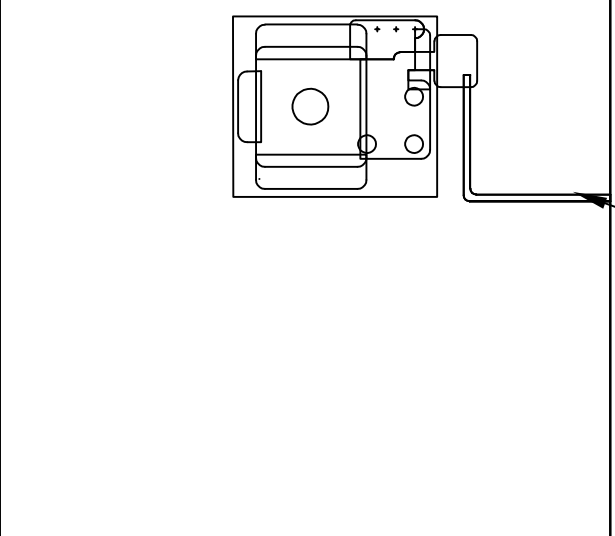
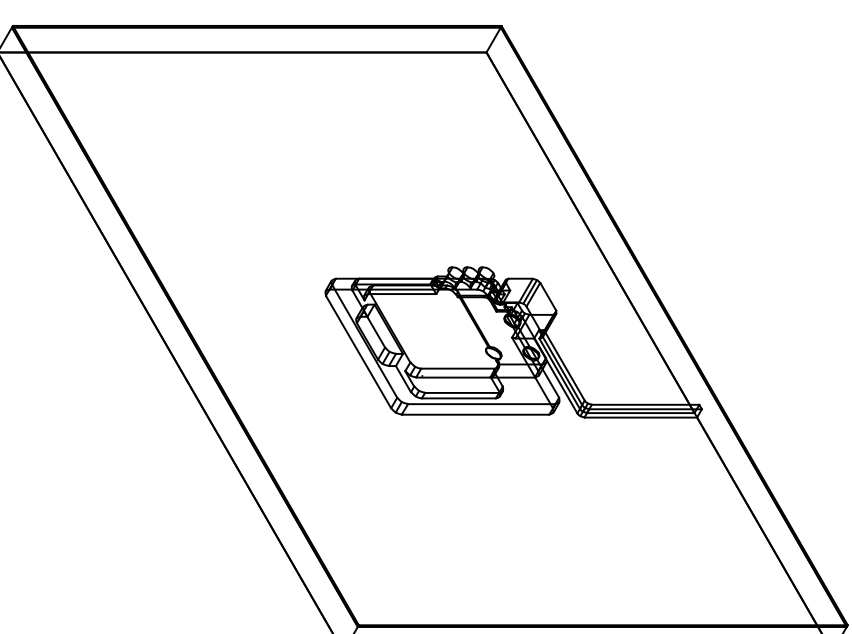


BACK OF COUNTER SURFACE



SIDE ELEVATION



3D VIEW - UNDER COUNTER



FORMICA CORPORATION
 10155 READING ROAD
 CINCINNATI, OH 45241
 WWW.FORMICA.COM
 PHONE | 1-800-FORMICA
 PROPERTY OF FORMICA GROUP

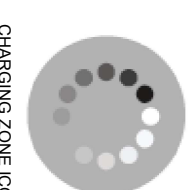
DISCLAIMER:
 • THE FOLLOWING IS PROVIDED FOR INSPIRATION ONLY.
 • FORMICA GROUP IS NOT RESPONSIBLE AND ASSUMES NO LIABILITY FOR THE DESIGN, ENGINEERING, INSTALLATION, ASSEMBLY OR STRUCTURAL INTEGRITY OF THE FABRICATED PIECE.
 • FABRICATOR SHOULD BRACE OR SUPPORT AS NECESSARY.
 • EDGING AND BASE OPTIONS VARY BY FABRICATION SHOP.

PROJECT NOTES:
 CLIENT SIGNATURE: _____
 PRINTED NAME: _____
 FORMICA SIGNATURE: _____
 PRINTED NAME: _____
 FORMICA GROUP'S COUNTERSIGNATURE HEREIN, DOCUMENTS ITS REVIEW AND APPROVAL OF THE LOCATION OF THE CHARGING ZONES ONLY.

For Sample Use Only

DATE: _____
 DATE: _____

JOB NUMBER	36 X 25.5 COUNTER
END CUSTOMER	FORMICA GROUP
NUMBER OF SHEETS	TBD
NUMBER OF TABLES PER SHEET	TBD
COLOR NUMBER DESCRIPTION	949 WHITE
FINISH	58 MATTE
# OF CHARGING ZONES PER SHEET	TBD



CHARGING ZONE ICON

intetek
 ORIGIN DATE | 10.01.2019
 REVISION | XXX
 REVISION DATE | 00.00.0000
 DRAWN BY | TBD
 SCALE | AS NOTED