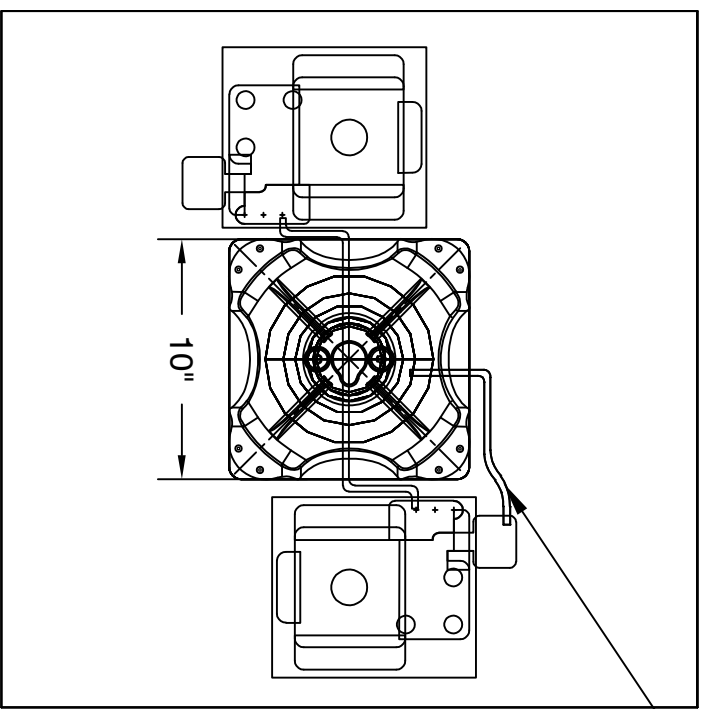


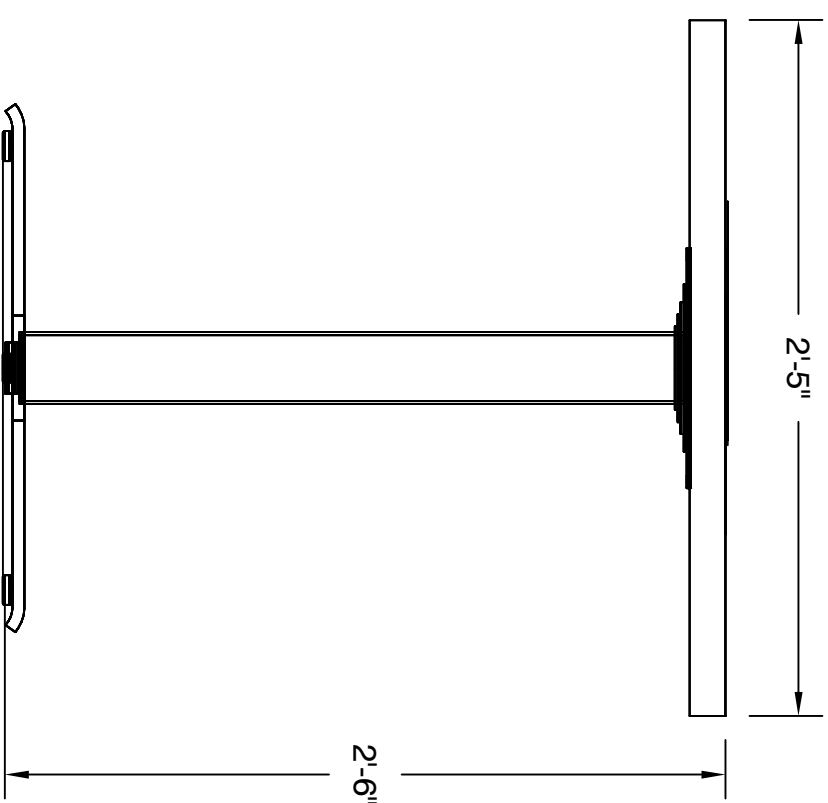
TOP OF TABLE

CHARGING ZONE

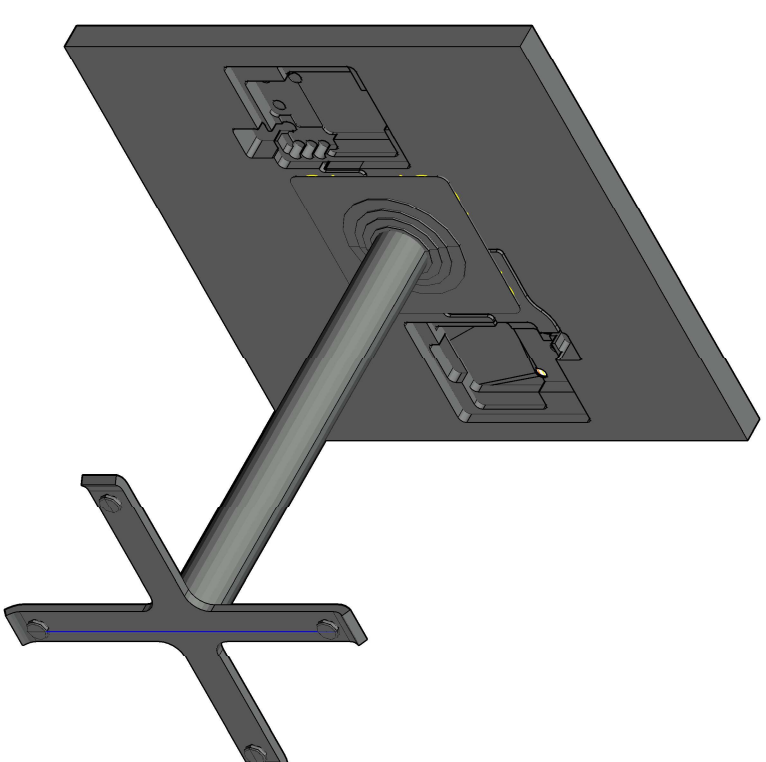
POWER CHANNEL



BACK OF TABLE SURFACE



SIDE ELEVATION



3D VIEW - UNDER TABLE



FORMICA CORPORATION  
10155 READING ROAD  
CINCINNATI, OH 45241  
WWW.FORMICA.COM  
PHONE | 1-800-FORMICA  
PROPERTY OF FORMICA GROUP

**DISCLAIMER:**

- THE FOLLOWING IS PROVIDED FOR INSPIRATION ONLY.
- FORMICA GROUP IS NOT RESPONSIBLE AND ASSUMES NO LIABILITY FOR THE DESIGN, ENGINEERING, INSTALLATION, ASSEMBLY OR STRUCTURAL INTEGRITY OF THE FABRICATED PIECE.
- FABRICATOR SHOULD BRACE OR SUPPORT AS NECESSARY.
- EDGING AND BASE OPTIONS VARY BY FABRICATION SHOP.

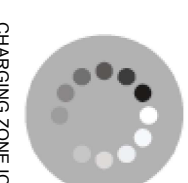
**PROJECT NOTES:**

CLIENT SIGNATURE: \_\_\_\_\_  
 PRINTED NAME: *For Sample Use Only*  
 DATE: \_\_\_\_\_

FORMICA SIGNATURE: \_\_\_\_\_  
 PRINTED NAME: \_\_\_\_\_  
 DATE: \_\_\_\_\_

FORMICA GROUP'S COUNTERSIGNATURE HEREIN DOCUMENTS ITS REVIEW AND APPROVAL OF THE LOCATION OF THE CHARGING ZONES ONLY.

JOB NUMBER	END CUSTOMER
29 X 29 TABLE	FORMICA GROUP
NUMBER OF SHEETS	TBD
NUMBER OF TABLES PER SHEET	TBD
COLOR NUMBER   DESCRIPTION	FINISH
949 WHITE	58 MATTE
# OF CHARGING ZONES PER SHEET	TBD



**intertek**  
 ORIGIN DATE | 10.01.2019  
 REVISION | XXX  
 REVISION DATE | 00.00.0000  
 DRAWN BY | TBD  
 SCALE | AS NOTED